

# The Ray Allen Company Inc.

1341 Distribution Way Suite 15, Vista, CA 92081 USA Phone 760 599 4720 FAX 760 599 4383  
www.rayallencompany.com

## RP4 LED Position Indicator

The RP4 indicator uses ten LED lights to show the position of a servo output shaft (or position sensor arm). There are also two amber colored LED's, one on each end of the indicator scale, to act as a reference for the green indicator light, especially in dark conditions.

### Installation Instructions

The RP4 is panel mounted using a faceplate and two countersunk, 2-56 x 7/16" screws. Use care when installing these screws, the mounting holes are tight (two spare screws are included).

Note that the distance between the screw holes is identical to the older Ray Allen RP3 LED indicator. Although the faceplate dimensions are identical between the RP3 and RP4 indicators, the panel cutout size is slightly different between the RP3 and RP4. If you are replacing an older unit with a new RP4, you will only need to increase the size of your panel hole (see Panel Cut Out). The RP4 faceplate will cover the older RP3 panel hole.

The RP4 wiring is very similar to RP3 indicators.

Red wire = 9-30 VDC +(no external regulator required for 28V systems)

Black wire = Ground

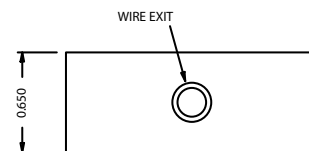
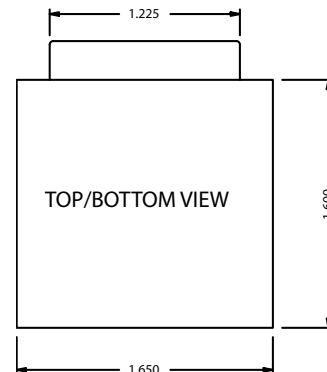
Orange wire = Connects to Orange wire of Servo or position sensor.

Blue wire = Connects to Blue wire of Servo or position sensor.

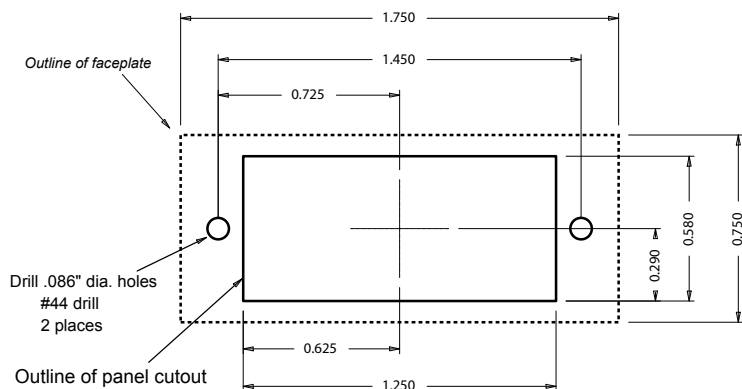
Green wire = Connects to Green signal wire of Servo or position sensor.

White wire = Apply 12 VDC + to this wire to dim the LED's for night flying.

The RP4 has a central white LED light bar. Apply your label to this area. The label is self adhesive. Be sure to carefully center the label.



### Panel Cut Out



2-56 X 7/16" SCREWS (2 PLACES)

RP4 FACEPLATE

INSTRUMENT PANEL  
(SEE PANEL CUTOUT DWG)

